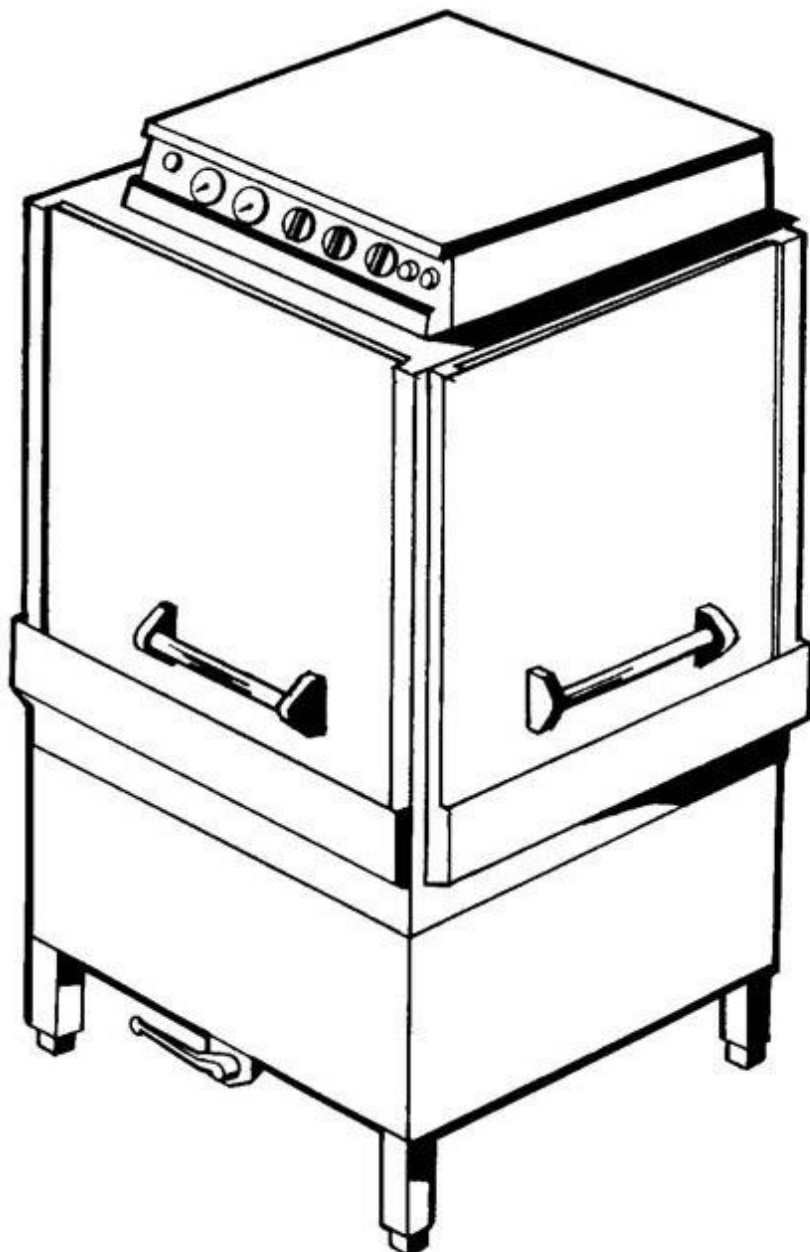


winterhalter

Spare Parts List GR 1231

Edited 9/94
Revised 02/05

Part no. 89000918



Summary

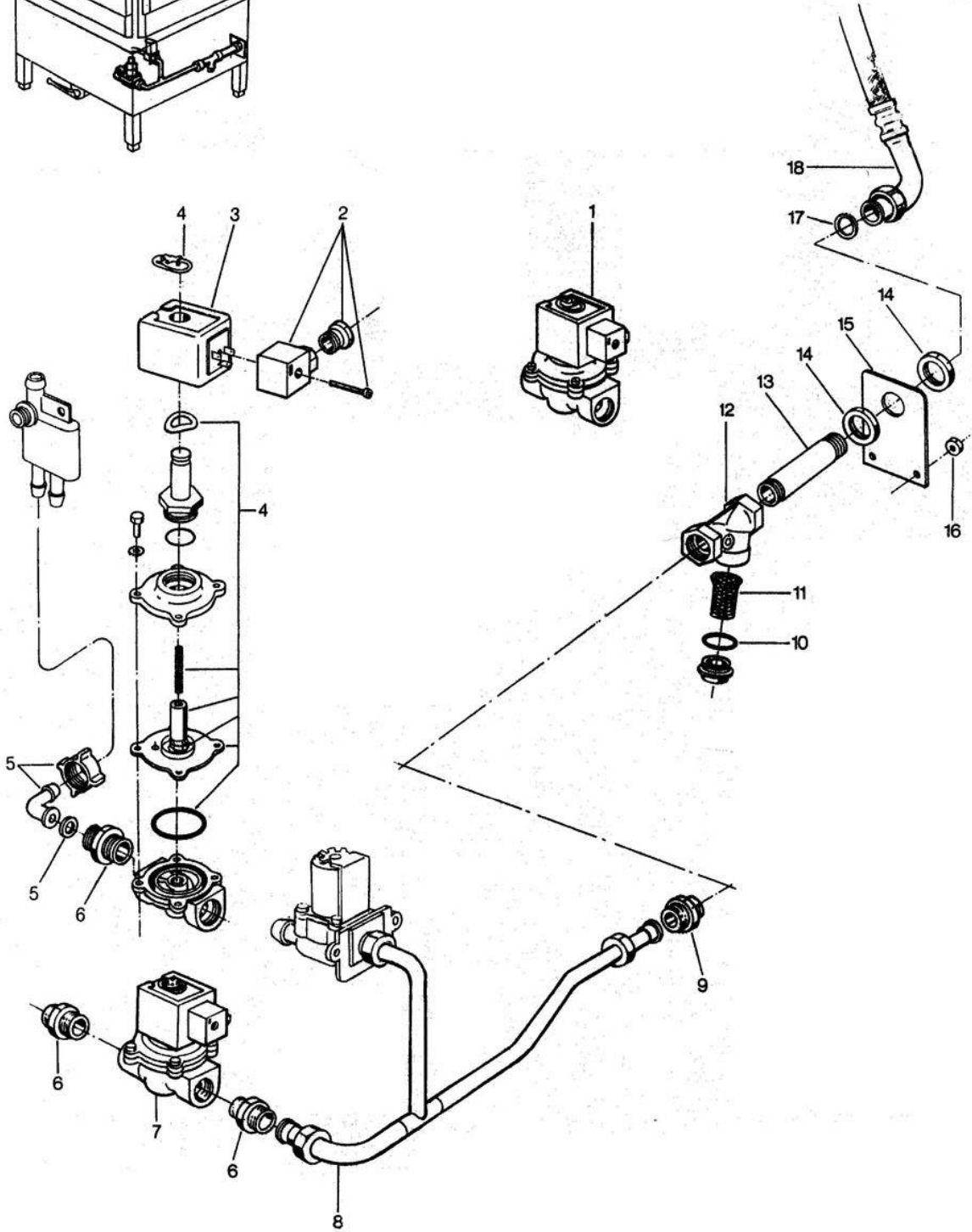
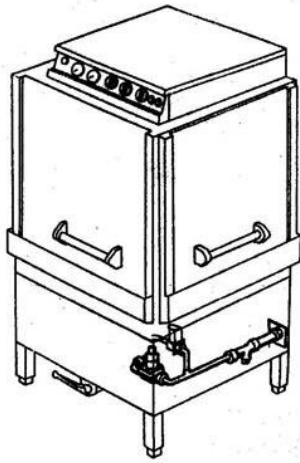
Water supply	Page 1 and 2
Water inlet, tank heating	Page 3 and 4
Water drain I	Page 5 and 6
Water drain II	Page 7 and 8
Wash system I	Page 9 and 10
Lower wash system II	Page 11 and 12
Upper wash system III	Page 13 and 14
Rinsing I	Page 15 and 16
Rinsing II	Page 17 and 18
Dosing	Page 19 and 20
Front door	Page 21 and 22
Lateral door	Page 23 and 24
Base frame, container, panel	Page 25 and 26
Electrical parts I	Page 27 and 28
Electrical parts II	Page 29 and 30
Electrical parts III	Page 31 and 32

Racks and accessories see separate list.

Parts that have the note " Part made to order only!" are not in stock. This parts are made specially for your order and have a delivery time. They are not returnable.

GR 1231

Wasserzulauf
Water supply
Alimentation d'eau

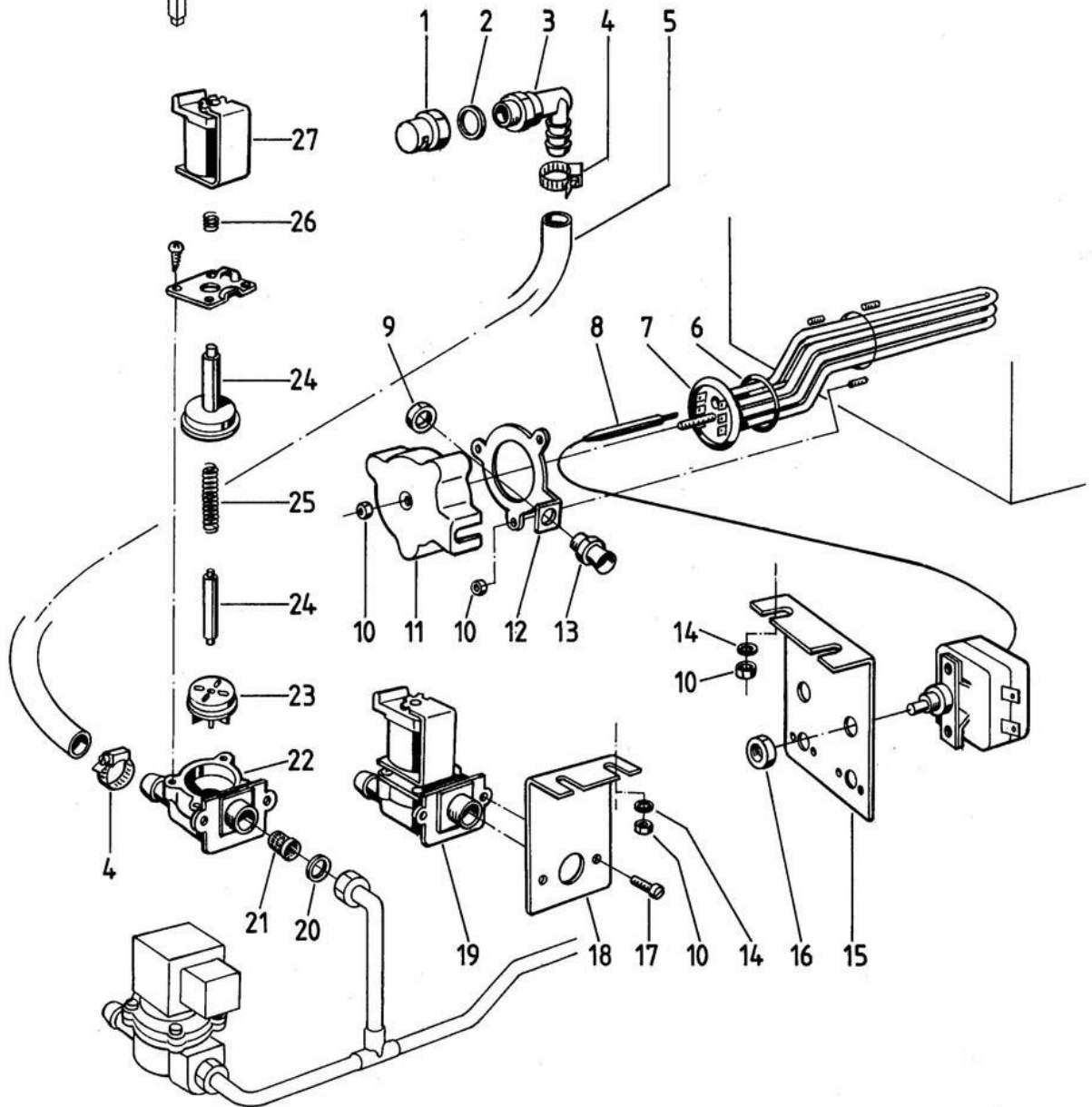
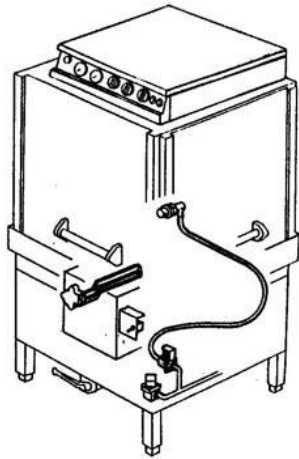


GR 1231

Wassereinlauf, Tankheizung

Water inlet, tank heating

Arrivée d'eau, chauffage de la cuve



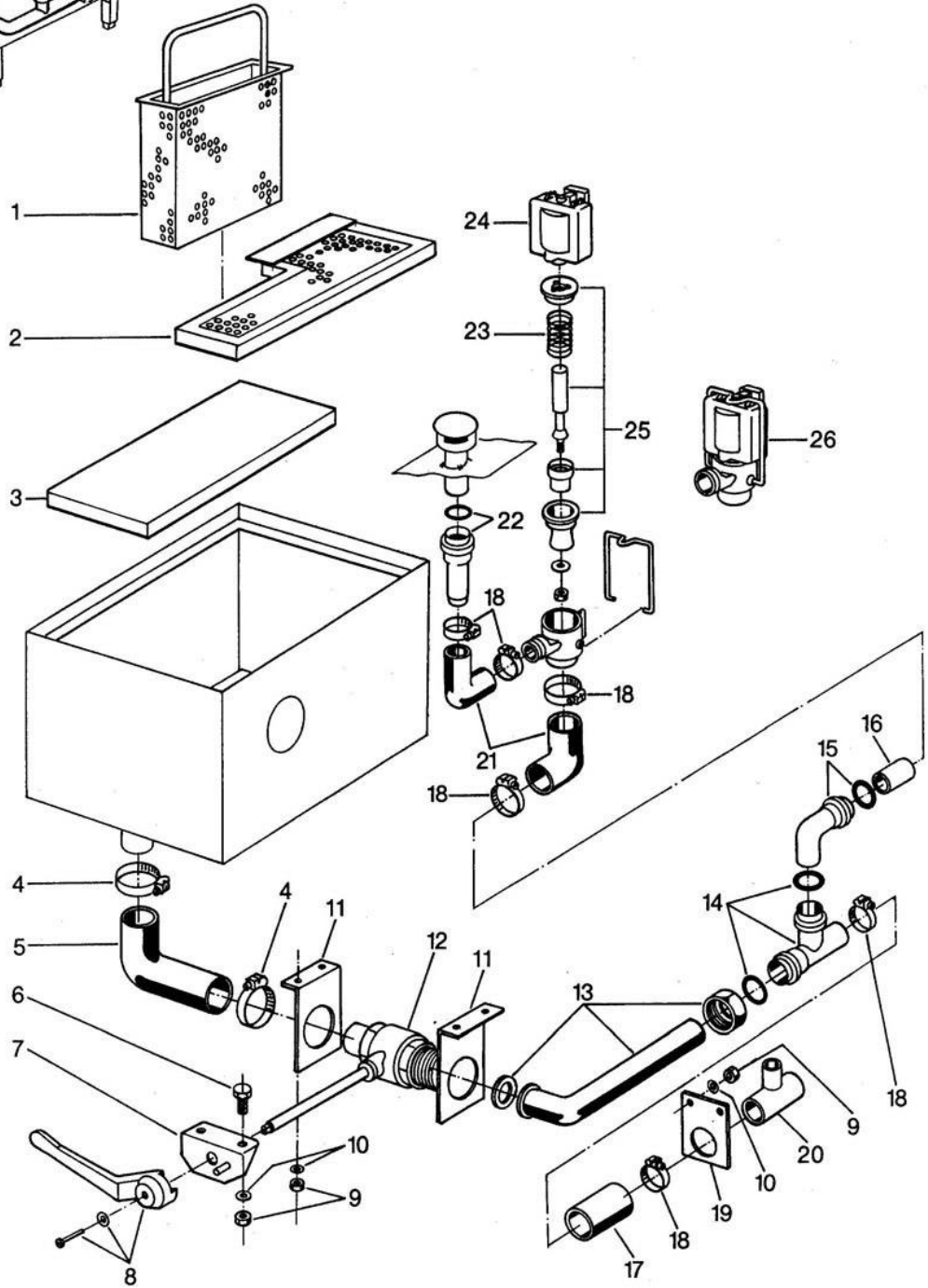
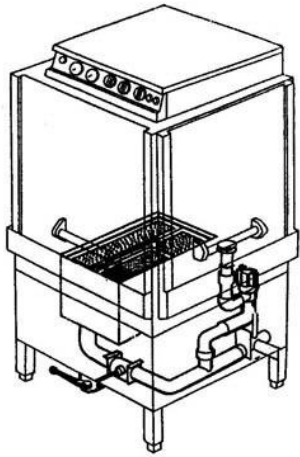
GR 1231

Water inlet, tank heating

Pos.	Designation	Part no.	Pc.	Notes
1	Water inlet			55 31 001
2	Seal \varnothing 28 x \varnothing 21 x 2	27 09 011		
3	Mediamat connection 1/2" BSP			
o.P.	O-Ring	27 07 031		
o.P.	Thrust ring	62 002943		
4	Hose clip \varnothing 14 - \varnothing 24	28 02 108		
5	Hose \varnothing 13,5 x 3,5 x 1800	40 02 029		per meter
6	O-ring \varnothing 46 x 6	27 07 069		
7	Heating element cranked 3x230/400 V 6 kW	31 03 017		
n.p.	Heating element cranked 240/420 V 6 kW	31 03 043		
8	Safety thermostat	31 25 030	2	as from mach. no. 214 501
9	Hexagon nut PG 13,5	31 10 041		
10	Hexagon nut M 5	21 05 302		
11	Cover for heating element	31 03 014		
12	Clamping plate cpl.	55 19 018		
13	Cable gland PG 13,5	31 10 040		
14	Washer \varnothing 5,3	22 01 300		
15	Thermostat support	65002459		
16	Hexagon nut M 8	21 05 306	2	self-securing
17	Pan head screw M 4x8	20 10 210	2	
18	Solenoid valve support	65000116		Part made to order only!
19	Solenoid valve 220-240 V, 50-60 Hz	31 06 180		tank
20	Seal \varnothing 24 x \varnothing 17 x 2	27 09 009		
21	Dirt sieve red	31 06 118		
22	Bottom part for solenoid valve			replaced by Pos. 19
23	Diaphragm			
24	Plunger with bush			
25	Spring			
26	Spring			
27	Coil 220/240 V, 50/60 Hz			

GR 1231

Wasserablauf I Water drain I Ecoulement d'eau I



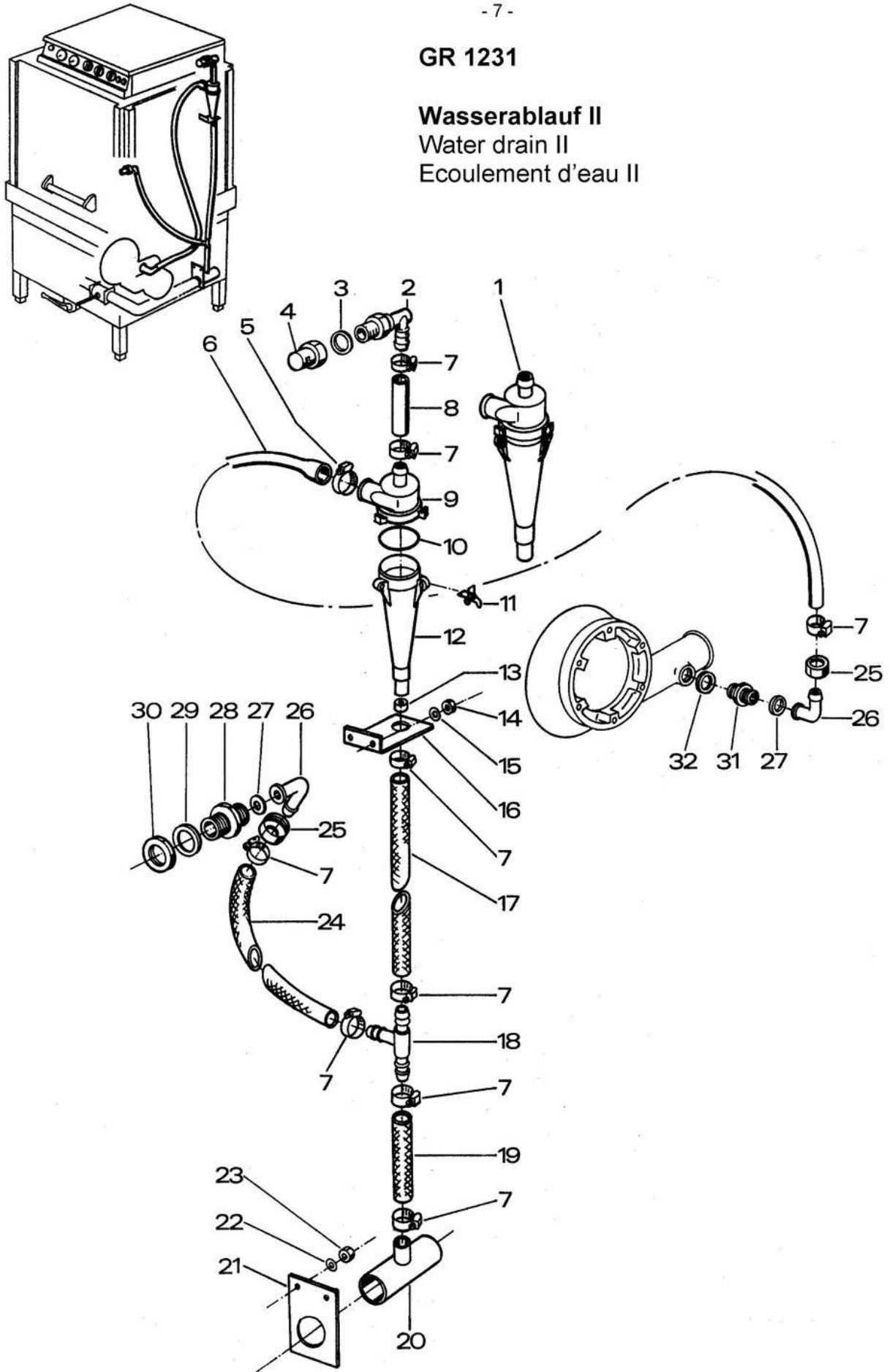
GR 1231

Water drain I

Pos.	Designation	Part no.	Pc.	Notes
1	Sump sieve cpl.	65001833		as from 5/89
n.p.	Sump sieve cpl.	55 13 028		until 4/89
2	Cover for sump box II cpl.	65001838		as from 5/89
3	Cover for sump box I cpl.	80001728		
n.p.	Cover for sump box cpl.	65000161	2	until 4/89
4	Hose clip \varnothing 62 - \varnothing 82	28 02 120	2	
5	Suction elbow \varnothing 62 x 9; 80 x 120	40 03 028		
6	Hexagon bolt M 6 x 16	20 01 306		
7	Support for selector shaft cpl.	55 02 015		
8	Handle for drain valve	29 03 248		
n.p.	Fitting disk \varnothing 30 x \varnothing 42 x 0,5	22 04 001		
9	Hexagon nut M 6	21 01 304		
10	Spring washer B 6	23 03 300		
11	Support for drain valve	55 02 014	2	
12	Drain valve with extended selector shaft	29 03 204		
13	Drain elbow cpl. 2" BSP x \varnothing 50	30 15 517		
o.P.	Seal to Pos. 13	30 15 541		
14	HT branch \varnothing 50 x \varnothing 50 x \varnothing 50	30 15 516		
15	HT elbow \varnothing 50; 87 degrees	30 15 508		
16	HT pipe \varnothing 50 x 250	30 15 518		cut to 100 mm
17	Reinforced hose \varnothing 50 x 4,5 x 120	40 02 012		per meter
18	Hose clip \varnothing 47 - \varnothing 67	28 02 115	6	
19	Supporting plate for drain	65000141		Part made to order only!
20	Mediamat drain cpl.	65000114		
21	Angle socket \varnothing 50 x 4; 67 x 67	40 03 013	2	
22	HT pipe \varnothing 50 x 250	30 15 518		cut to 130 mm
23	Spring	31 06 119		
24	Coil			
n.p.	Coil 240 V 50 Hz	no more available		replaced by: 31 06 060
n.p.	Coil 220 V 60 Hz			
25	Diaphragm	31 06 137		only diaphragm available
26	Drain solenoid valve NW \varnothing 40	31 06 060		

GR 1231

Wasserablauf II Water drain II Ecoulement d'eau II



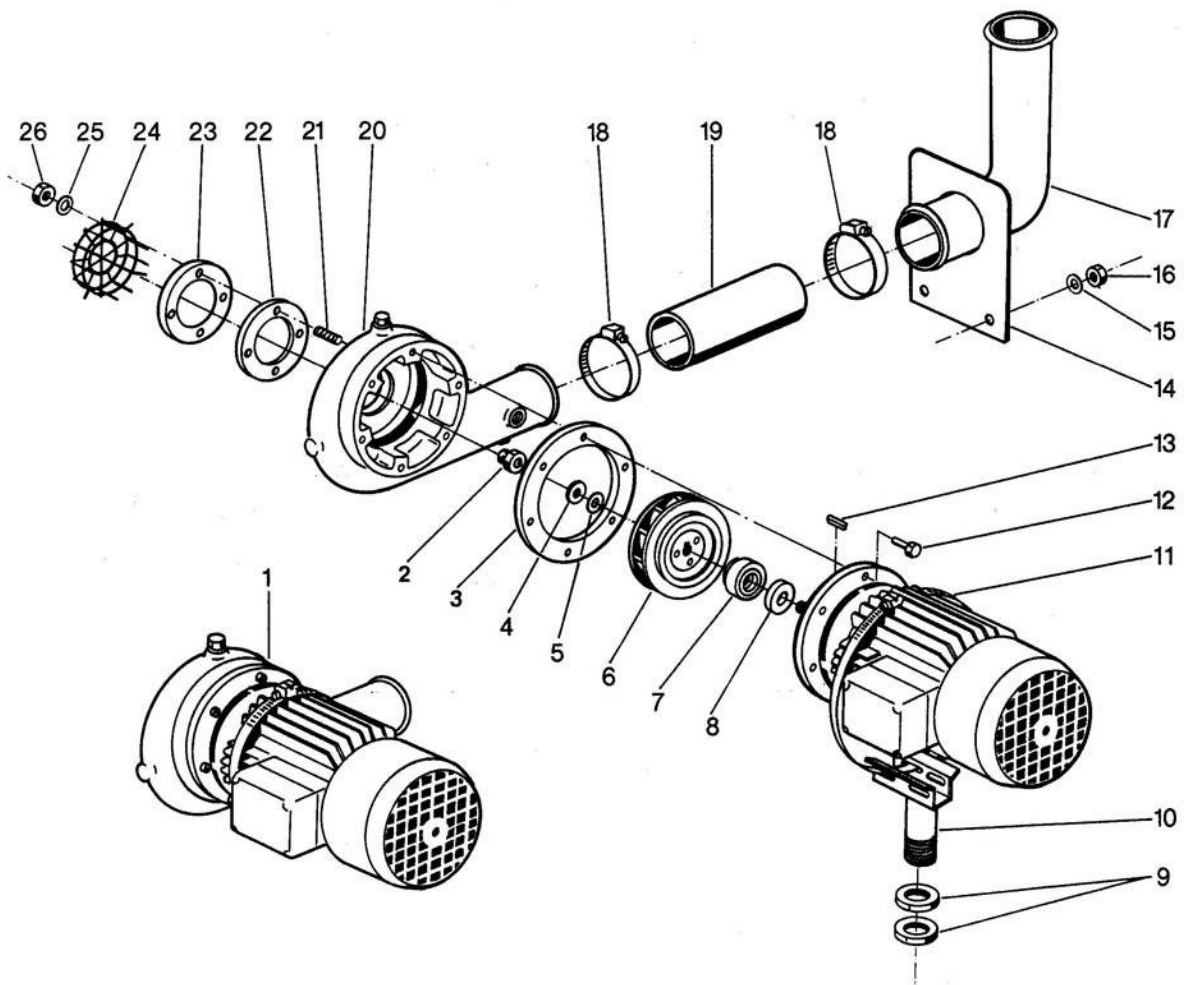
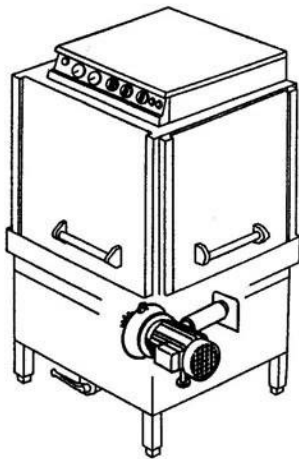
GR 1231

Water drain II

Pos.	Designation	Part no.	Pc.	Notes
1	Mediamat cpl.	55 27 040		
2	Mediamat connection 1/2" BSP			55 31 001
3	Seal ø 28 x ø 21 x 2	27 09 011		
4	Water inlet	61005339		
5	Hose clip ø 32 - ø 52	28 02 110		
6	Reducing hose ø 30/16 x 5 x 1300	40 03 036		
7	Hose clip ø 20 - ø 30	28 02 109	8	
8	Hose ø 16 x 4 x 60	40 01 015		per meter
9	Head piece inlet	35 01 124		
10	O-ring ø 51 x 3	27 07 043		
11	End piece locking	28 04 041	4	
12	Accelerator	35 01 035		
13	Insert for Mediamat	35 01 123		
14	Hexagon nut M 4	21 01 302		
15	Washer ø 4,3	22 02 202		
16	Supporting angle for Mediamat	61000658		
17	Fabric hose 19 x 4 x 960	40 01 016		per meter
18	T-hose socket ø 19	29 06 512		
19	Fabric hose 19 x 4 x 70	40 01 016		per meter
20	Mediamat drain cpl.	65000114		
21	Supporting plate for drain	65000141		
22	Spring washer B 6	23 03 300		
23	Hexagon nut M 6	21 01 304		
24	Fabric hose 19 x 4 x 810	40 01 016		per meter
25	Cap nut 3/4" BSP x ø 21 x 14	29 07 203	2	
26	Mediamat connection elbow	29 06 524	2	
27	Seal ø 24 x ø 19,5 x 1,5	27 09 010		
28	Double nipple for overflow cpl. 3/4" BSP x 3/4" BSP x 34	55 04 031		
29	Seal ø 42 x ø 27 x 2	27 09 003		
30	Locking nut narrow 3/4" BSP x 5	61002626		
31	Mediamat connection nipple. 1/2" BSP x 3/4" BSP x 32	30 11 502		
32	O-ring ø 20 x 3,5	27 07 040		

GR 1231

Waschsystem I Pumpe
Wash system I pump
Système de lavage pompe



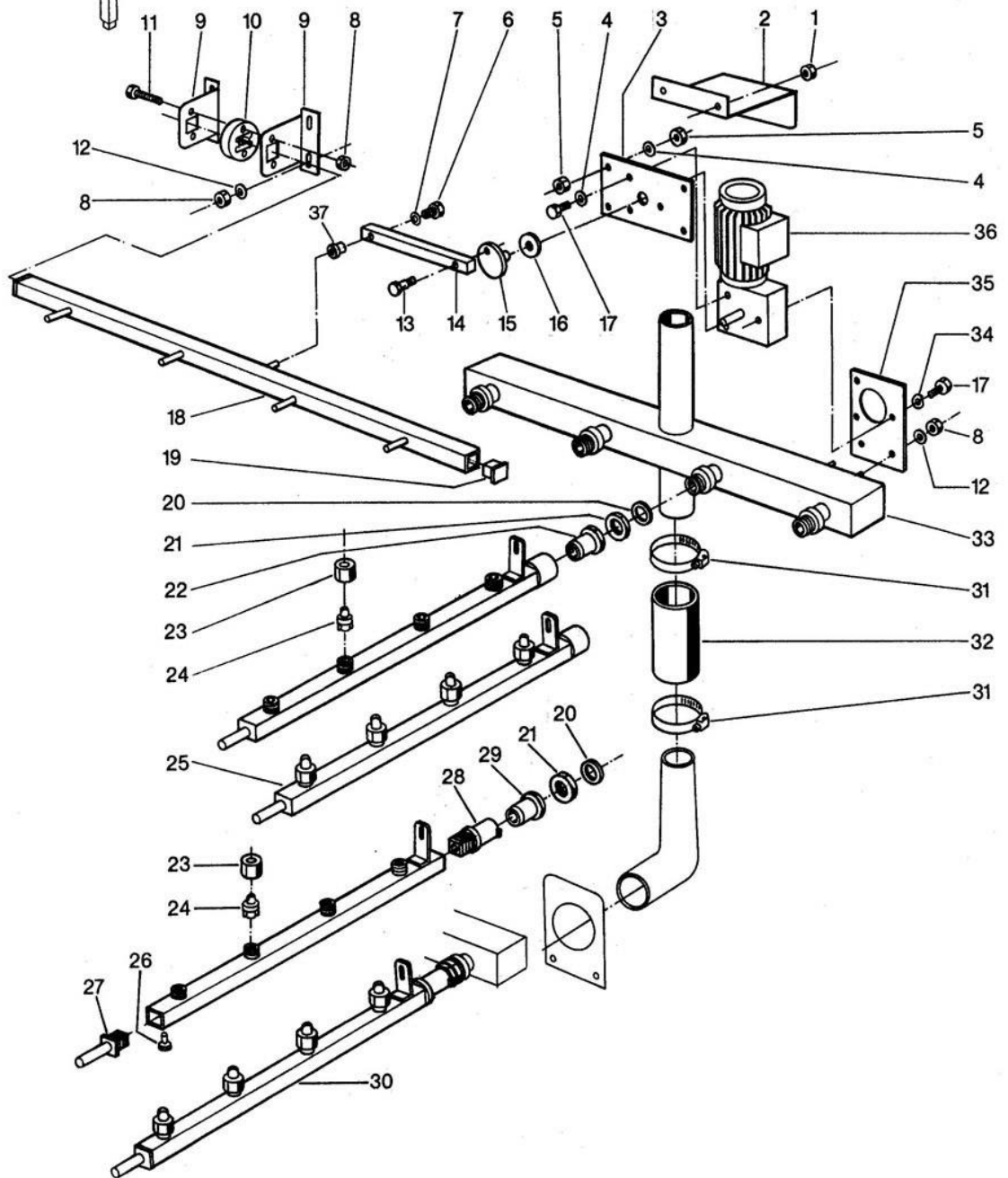
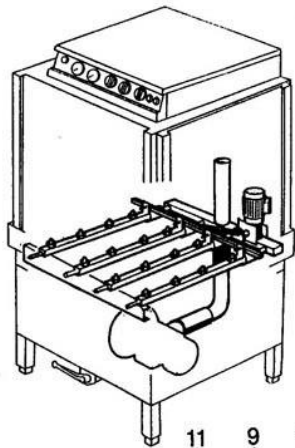
GR 1231

Wash system I pump

Pos.	Designation	Part no.	Pc.	Notes
1	Pump cpl. 3,7 kW 220/380 V 50 Hz	55 14 049		
n.p.	Pump cpl. 3,7 kW 240/420 V 50 Hz	55 14 121		
n.p.	Pump cpl. 3,7 kW 220/380 V 60 Hz	55 14 122		
2	Cap nut M 10	21 10 306		self-securing
3	Seal \varnothing 190 x \varnothing 143 x 1,0	27 09 037		
4	Washer \varnothing 10,5	22 01 206		
5	Seal M 10	22 08 506		
6	Pump impeller \varnothing 140 x 45, 50 Hz	35 01 181		
n.p.	Pump impeller \varnothing 128 x 45, 60 Hz	55 14 141		
7	Motor shaft seal			sealing kit 80002672
8	Seating ring			incl.Pos.2;3;4;5
n.p.	Fitting disk \varnothing 30 x \varnothing 42 x 0,5	22 04 001		for pos. 8
9	Locking nut 3/4" BSP	61002626		
10	Motor support cpl.	65000118		job - work
11	Hose clip \varnothing 167 - 187	28 02 124		
12	Hexagon bolt M 6 x 18	20 01 014		
13	Feather key 4 x 4 x 12	26 10 002		
14	Supporting plate for pump elbow	65000207		Part made to order only!
15	Washer \varnothing 6,4	22 01 302		
16	Hexagon nut M 6	21 01 304		
17	Reduction elbow cpl.	55 06 051		
18	Hose clip \varnothing 62 - \varnothing 82	28 02 120	2	
19	Pump hose \varnothing 60 x 8 x 200 lg.	40 02 007		per meter
20	Pump housing	55 14 139		
21	Grub-screw M 8 x 30	20 30 307		
22	Seal \varnothing 100 x \varnothing 65 x 2	27 09 024		
23	Sieve plate	65000208		
24	Suction filter	55 13 123		
25	Washer \varnothing 8,4	22 01 303		
26	Hexagon nut M 8	21 01 305		
n.p.	Fan wheel	31 01 142		
n.p.	Fan hood	31 01 143		

GR 1231

Waschsystem II unten Bottom wash system II Système de lavage inférieur II



GR 1231

Lower wash system II

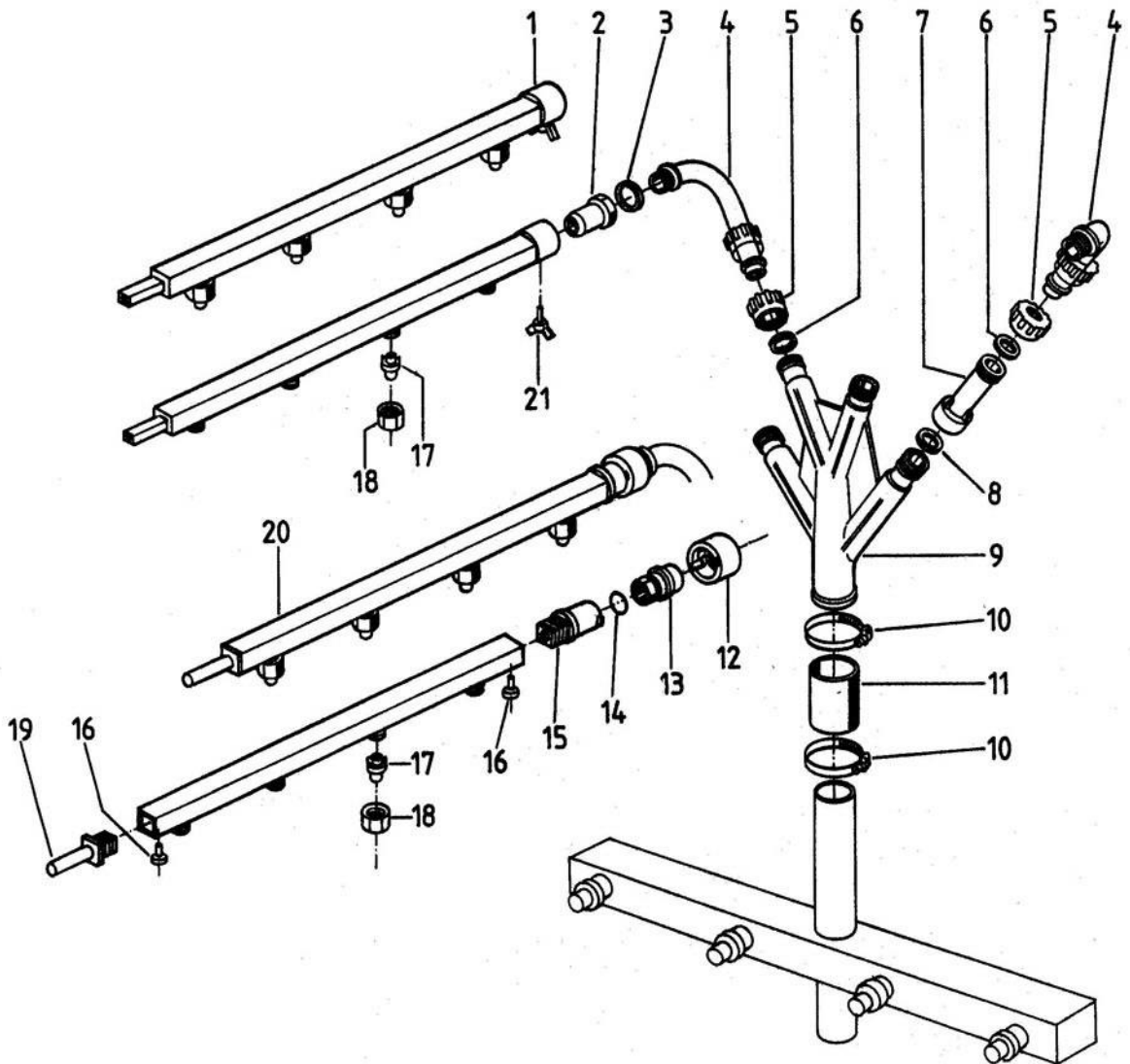
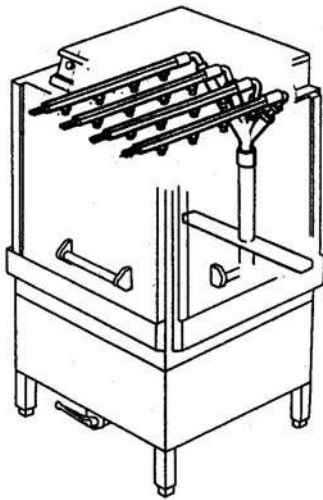
Pos.	Designation	Part no.	Pc.	Notes
1	Hexagon nut M 4	21 05 300		self-securing
2	Cover for gear motor	65000244		
3	Adjusting plate	65000239		Part made to order only!
4	Washer \varnothing 8,4	22 01 303		
5	Hexagon nut M 8	21 01 305		
6	Hexagon bolt M 5 x 10	20 01 300		
7	Washer \varnothing 5,3	22 01 300		
8	Hexagon nut M 6	21 01 304		
9	Support for connecting rod	65000238	2	Part made to order only!
10	Sliding block for connecting rod	35 01 211		
11	Hexagon bolt M 6 x 30	20 01 307		
12	Washer \varnothing 6,4	22 01 302		
13	Crank pin SW 17 x 34	55 08 035		
14	Connecting plate 15 x 20 x 200	55 08 034		
15	Eccentric pulley \varnothing 70 x 37	65001330		
16	Shaft gasket	27 08 003		
17	Hexagon bolt M 8 x 16	20 01 302		
18	Connecting rod cpl.	65000237		
19	Plug	35 03 016	2	
20	Seal \varnothing 42 x \varnothing 27 x 2	27 09 003	4	
21	Locking nut 3/4" BSP x 5	61002626	4	
22	Bush SW 36 x 40; 3/4" BSP	35 01 177	4	until mach. no. 200 846
23	Cap nut for wash jet 1/2" BSP	29 10 532	16	
24	Wide spread jet \varnothing 18 x 25	29 10 509	16	
25	Bottom wash arm cpl.	65000196	4	until mach. no. 200 846
26	Sheet-metal screw B 2,9 x 6,5	20 20 308		
27	Guide piece 30 x 30 x 73,5	65002080	4	
28	Wash arm head \varnothing 44 x 69	65002079	4	as from mach. Nr. 201 269
29	Bush SW 36 x 40	65002085	4	
30	Bottom wash arm cpl.	65002262	4	
31	Hose clip \varnothing 47 - \varnothing 67	28 02 115	2	
32	Pump hose \varnothing 50 x 8 x 200	40 02 006		per meter
33	Bottom distributor cpl.	65000199		Part made to order only!
34	Spring washer B 8	23 03 301		
35	Supporting plate for gear motor	65000246		
36	Revers. motor 0,12 kW 220-240/380-420V 50Hz	31 16 021		
n.p.	Reversing motor 0,12 kW 220/380 V 60 Hz	31 16 039		
n.p.	Reversing motor 0,12 kW 240-420 V 50 Hz	31 16 021		
37	Bush \varnothing 20 x 8	65000027		

GR 1231

Waschsystem III oben

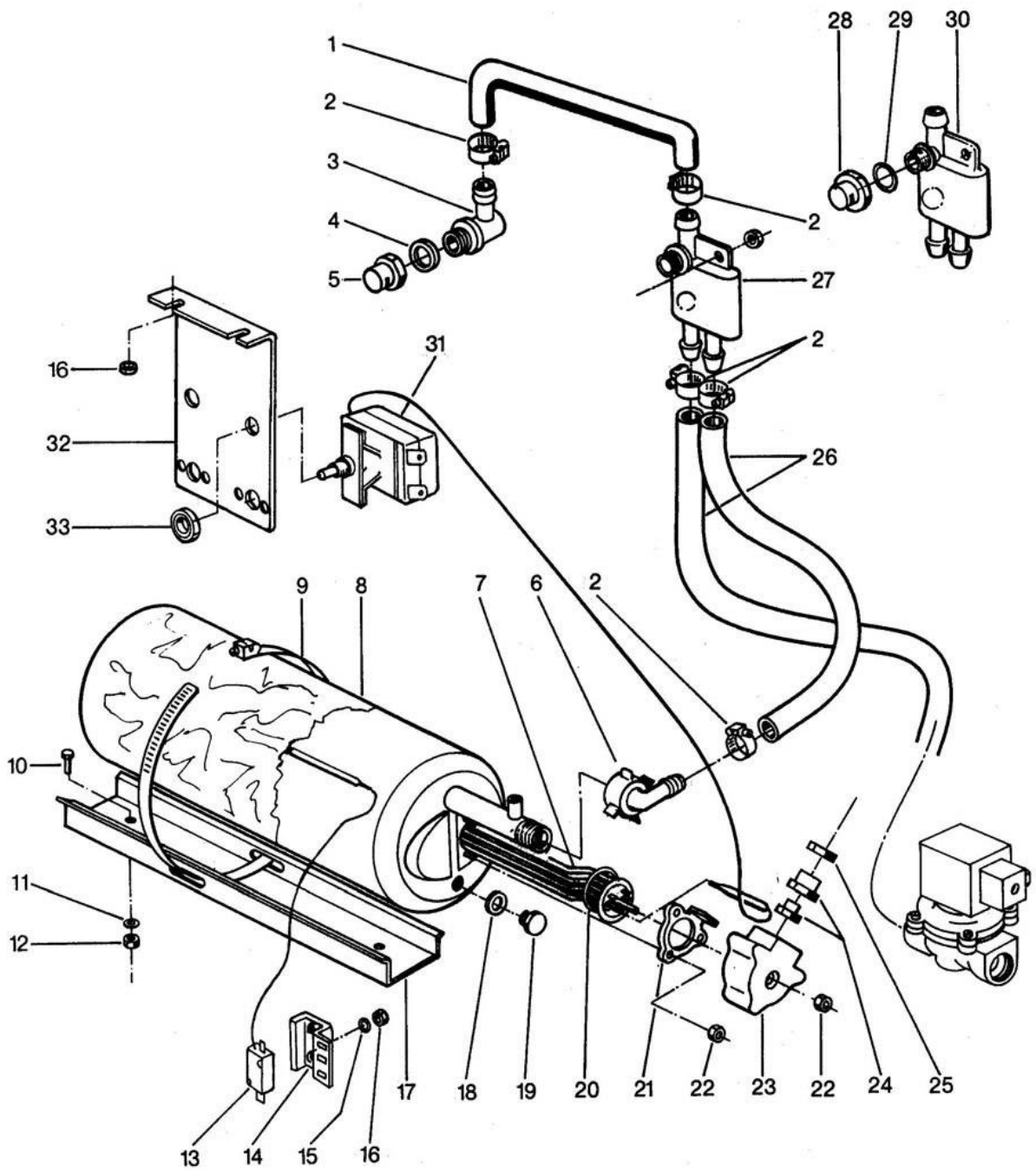
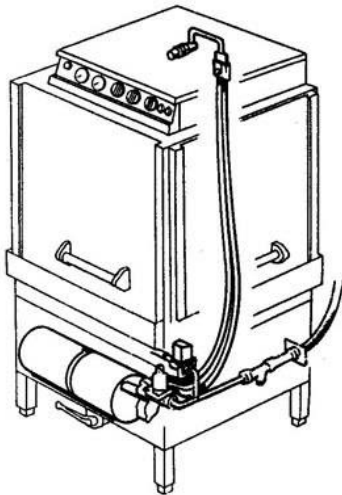
Top wash system III

Système de lavage supérieur III



GR 1231

Nachspülung I Rinsing I Rinçage I



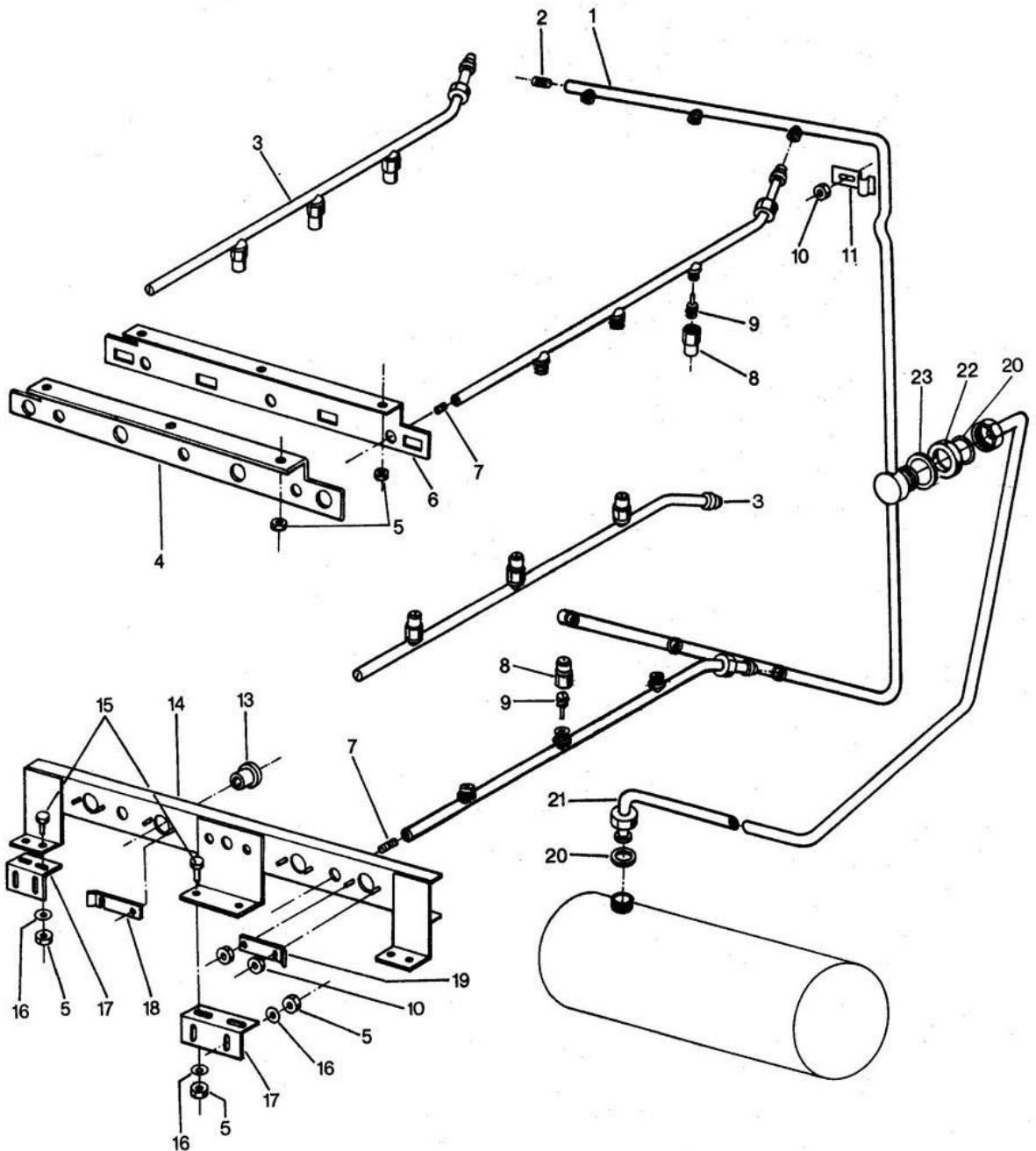
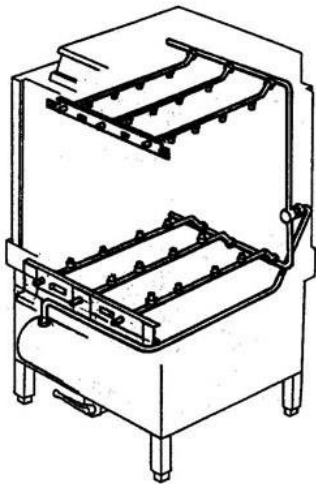
GR 1231

Rinsing I

Pos.	Designation	Part no.	Pc.	Notes
1	Shaped hose \varnothing 13 x 4 x 140	40 03 053		until mach. no. 201 379
2	Hose clip \varnothing 14 - \varnothing 24	28 02 108	3	
3	Connection 1/2" BSP x 14,5			55 31 007 until mach. no. 201 379
4	Seal \varnothing 28 x \varnothing 21 x 2	27 09 011		
5	Water inlet 1/2" BSP x \varnothing 26 x 34			
6	Angle screwing 3/4" BSP x 18	29 06 515		
7	Heating element cranked 6 kW 3x230/400 V	31 03 017		
n.p.	Heating element cranked 6 kW 240/420 V	31 03 043		
8	Boiler body, 1 hole 480 lg.	55 12 035		
9	Hose clip \varnothing 167 x \varnothing 187	28 02 124		
10	Hexagon bolt M 6 x 16	20 01 306		
11	Spring washer B 6	23 03 300		
12	Hexagon nut M 6	21 01 304		
13	Safety thermostat	31 25 022		until mach. no. 203 410
14	Support for safety thermostat	62001583		
15	Washer \varnothing 4,3	22 02 302		
16	Hexagon nut M 4	21 05 201		self-securing
17	Boiler groove 380 lg.	61002039		
18	Seal \varnothing 18 x \varnothing 10 x 1,5	27 03 003		
19	Locking screw M 10 x 14	20 01 352		
20	O-ring \varnothing 46 x 6	27 07 069		
21	Clamping plate cpl.	55 19 018		
22	Hexagon nut M 5	21 01 303		
23	Cover for heating element	31 03 014		
24	Cable gland PG 13,5	31 10 040		
25	Hexagon nut PG 13,5	31 10 041		
26	Reinforced hose 13,5 x 3,5 x 1800	40 02 029		per meter
27	Top backflow preventer	35 01 193		until mach. no. 201 379
28	Deaeration cap 3/8" BSP			replaced by 61004545 as from mach. no. 201 380
29	Seal \varnothing 24 x \varnothing 17 x 2,0			
30	Lateral backflow preventer	35 01 194		
31	Safety thermostat 140°C	31 25 030		as from mach. no. 214 501
32	Thermostat support	65002459		
33	Hexagon nut M 8	21 01 305		

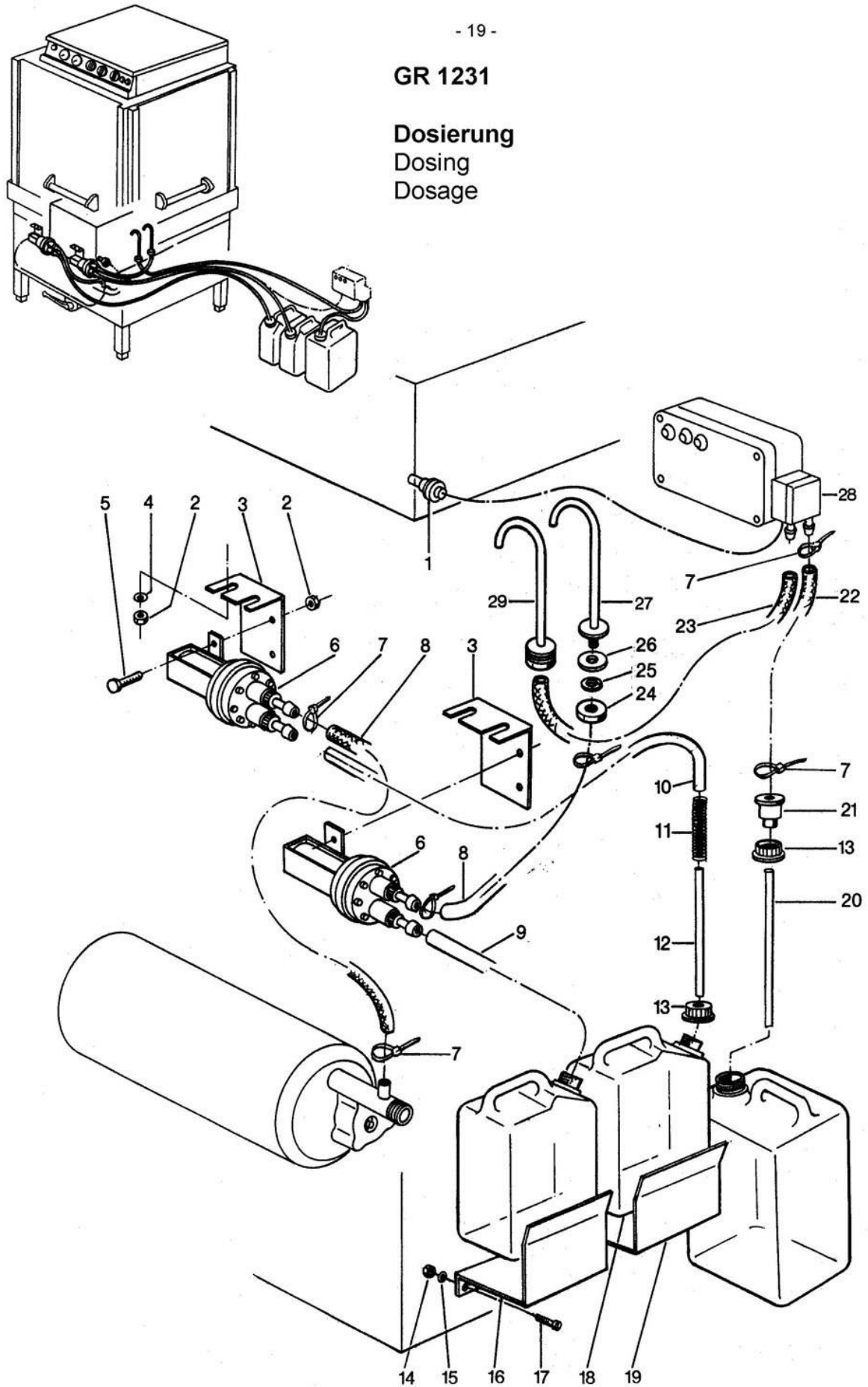
GR 1231

Nachspülung II Rinsing II Rinçage II



GR 1231

Dosierung
Dosing
Dosage



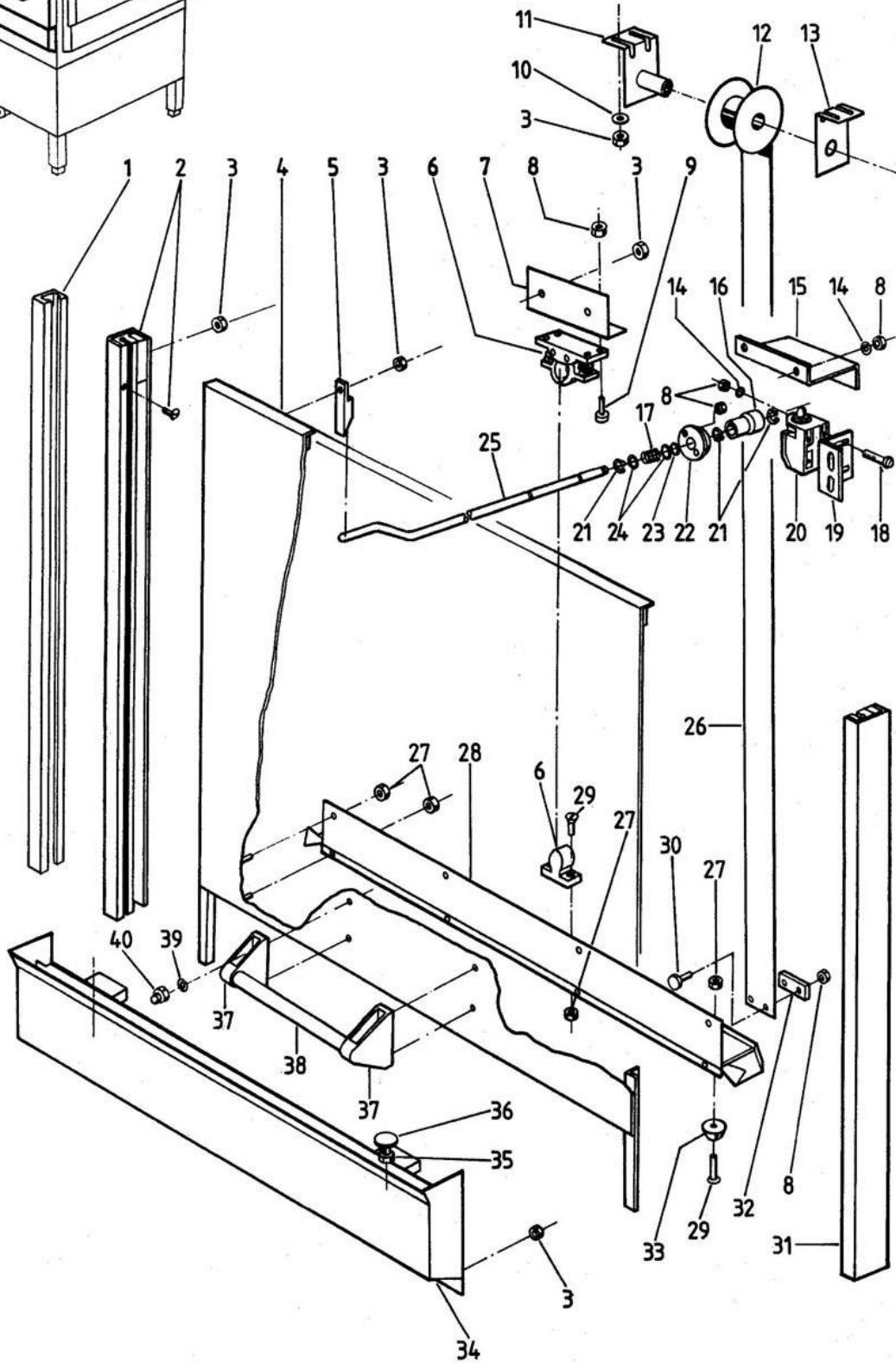
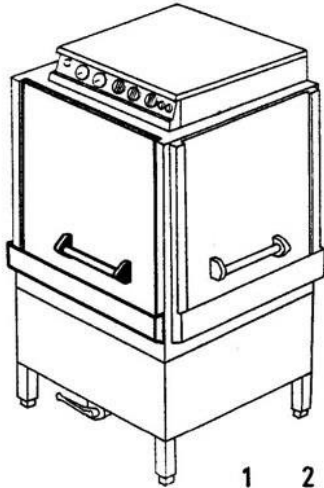
GR 1231

Dosing

Pos.	Designation	Part no.	Pc.	Notes
1	Built-in electrode cpl.	31 13 043		
2	Hexagon nut M 4	21 05 201		self-securing
3	Dispenser support	65001722	2	
4	Washer \varnothing 4,3	22 02 302		
5	Pan head screw M 4 x 12	20 10 313		
6	Dispenser ELT 20		2	55 28 278
7	Hose clamp 188 x 4,8			28 02 348
8	Hose \varnothing 5 x 2,5 x 330	40 01 024		per meter
9	Hose \varnothing 5 x 2,5 x 1000	40 01 024		
10	Hose \varnothing 5 x 2,5 x 1200	40 01 024		
11	Pressure spring	28 04 014		
12	Suction pipe \varnothing 6 x 1 x 150	61000693		
13	Locking cap	35 02 023	3	drill open if necessary
14	Hexagon nut M 5	21 05 302		self-securing
15	Washer \varnothing 5,3	22 01 300		
16	Support for defoaming container	65001394		Part made to order only!
17	Cylinder screw M 5 x 10	20 09 222		
18	Detergent container 3 l	35 02 004		
19	Support for rinse aid container	65000327		Part made to order only!
20	Pipe piece \varnothing 6 x 1,2 x 240	65000983		
21	Reducing bush \varnothing 30 x 25	40 06 011		
22	Fabric hose \varnothing 5 x 3 x 1600	40 01 024		per meter
23	Fabric hose \varnothing 5 x 3	40 01 024		per meter
24	Hexagon nut M 10	21 02 306	2	
25	Spring washer A 10	23 03 303		
26	Seal M 10	22 08 506	2	
27	Inlet elbow	65000985	2	
28	Detergent dosing pump SP 166 L	80000299		see separate spare parts list
29	Inlet elbow cpl.	55 25 004	2	cons. of pos. 24, 25, 26, 27

GR 1231

Türe vorne
Front door
Porte avant



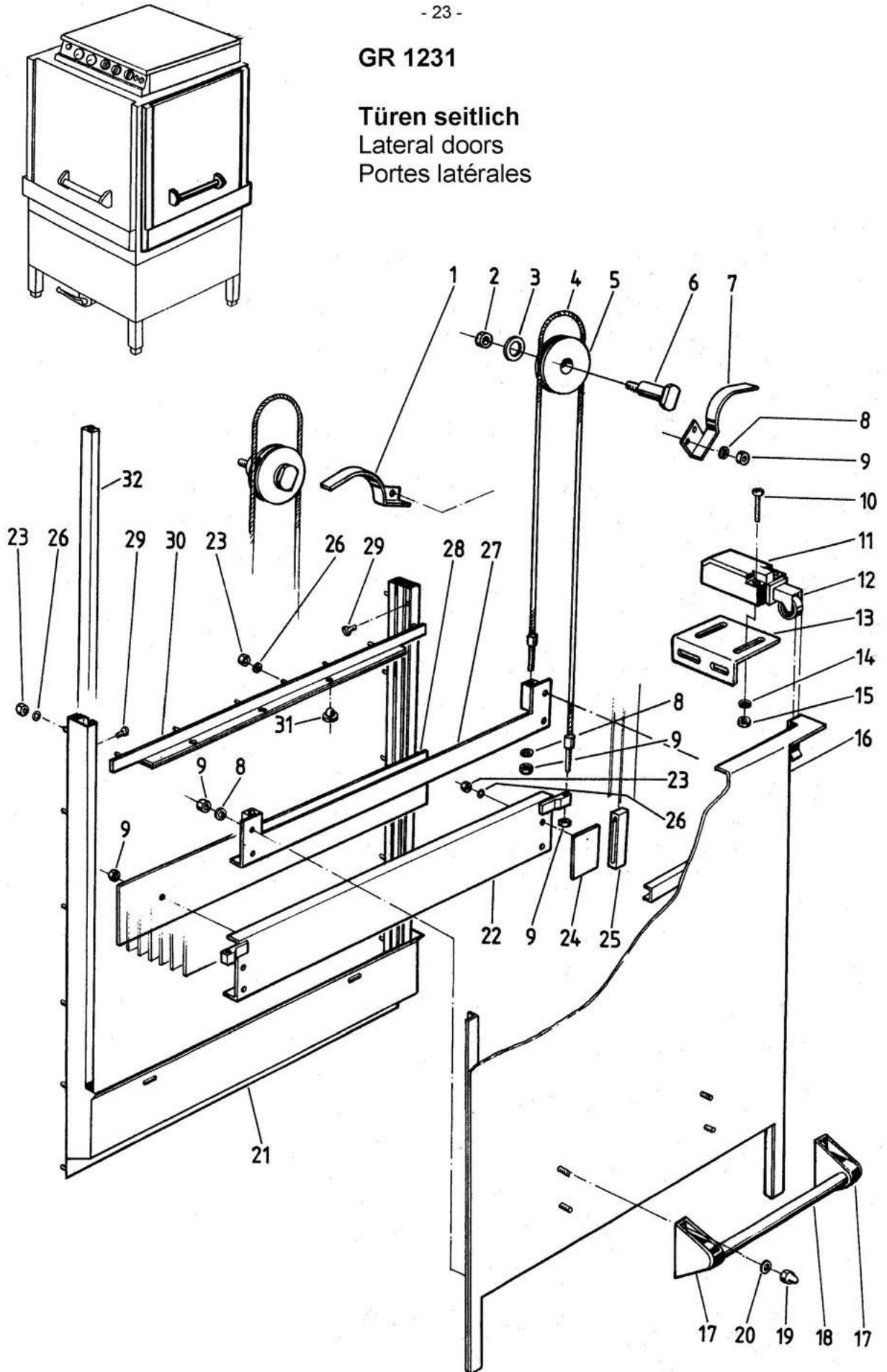
GR 1231

Front door

Pos.	Designation	Part no.	Pc.	Notes
1	Sliding rail 785 mm long	35 04 038	2	
2	Door guide left cpl.	55 15 120		
3	Hexagon nut M 6	21 05 304		self-securing
4	Door cpl.	65000422		without handle Part made to order only!
5	Stopping wedge	55 15 130		
6	Door catch cpl.	55 15 128		
7	Angle for door catch	55 28 558		
8	Hexagon nut M 4	21 05 300		self-securing
9	Pan head screw M 4 x 16	20 10 213		
10	Washer \varnothing 6,4	22 01 302		
11	Spring bracket cpl.	65000406	2	
12	Pulley \varnothing 90 x 24	35 01 160	2	
13	Bearer angle	65000414	2	
14	Washer \varnothing 4,3	22 02 302		
15	Stop for limit switch rod	65000301		Part made to order only!
16	Trip cam	28 14 204		
17	Pressure spring	28 04 011		
18	Pan head screw M 4 x 25	20 10 215		
19	Limit switch support	60000783		
20	Limit switch	31 24 216		
21	Locking ring \varnothing 6	23 10 304		
22	Bearing for limit switch	55 15 129		
23	O-ring \varnothing 7 x 2,5	27 07 013		
24	Washer \varnothing 8,4	22 01 303		
25	Limit switch rod	65000530		
26	Roller spring	28 04 024	2	
27	Hexagon nut M 5	21 05 302		self-securing
28	Insert rail front cpl.	65000407		
29	Lens head countersunk screw M 5 x 15	20 12 324		
30	Hexagon bolt M 4 x 10	20 01 313		
31	Door guide right cpl.	55 15 119		
32	Clamping plate 1,5 x 13 x 38	65000417	2	
33	Rubber buffer \varnothing 22 x 10	40 06 007	2	
34	Trough cpl.	65000402		Part made to order only!
35	Hexagon nut M 8	21 01 305		
36	Door catch cpl.	65000412	2	
37	Door handle bearer	35 01 163	2	
38	Pipe piece \varnothing 22 x 1,5 x 235	65000424		
39	Spring washer B 6	23 03 300		
40	Cap nut M 6	21 10 204		
	Set frontdoor	55 28 128		

GR 1231

Türen seitlich
Lateral doors
Portes latérales



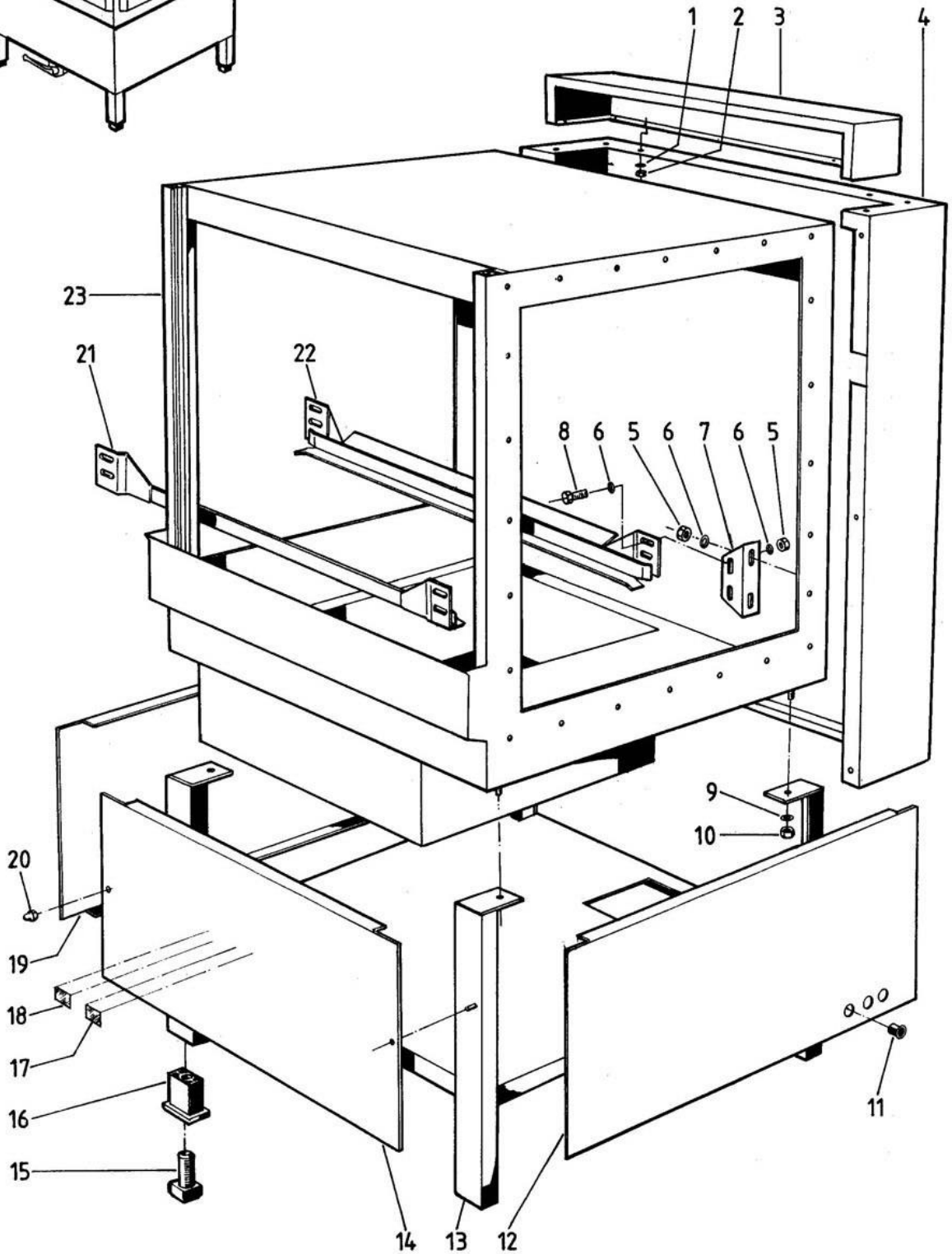
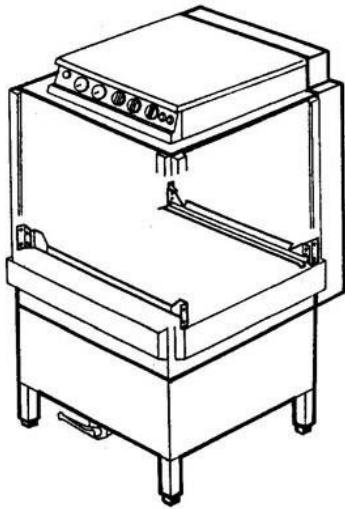
GR 1231

Lateral doors

Pos.	Designation	Part no.		Notes
1	Roller cover left cpl.	65001440	2	
2	Hexagon nut M 12	21 05 309		
3	Washer ø 13	22 01 001		
4	Wire rope 920 lg., M 5	65001716	4	
5	Rope pulley ø 60 x 14	65001446	4	
6	Bolt ø 30 x 34, M 12	65001447	4	
7	Roller cover right cpl.	65001441	2	
8	Washer ø 5,3	22 01 303		
9	Hexagon nut M 5	21 05 302		self-securing
10	Pan head screw M 4 x 25	20 10 215		
11	Limit switch	31 24 216	2	
12	Limit switch	31 24 216	2	
13	Limit switch support	60000783	2	
14	Washer ø 4,3	22 02 302		
15	Hexagon nut M 4	21 05 300		
16	Lateral lifting door right cpl.	65001425		Part made to order only!
n.p.	Lateral lifting door left cpl.	65001424		Part made to order only!
17	Door handle bearer	35 01 163	4	
18	Door handle pipe ø 22 x 396 lg.	65001729	2	Part made to order only!
19	Cap nut M 6	21 10 204		
20	Spring washer B 6	23 03 300		
21	Lateral door frames cpl.	65002344	2	Part made to order only!
22	Receiver cpl.	65001430	2	Part made to order only!
23	Hexagon nut M 6	21 05 304		self-securing
24	Guide plate cpl.	65001431	4	Part made to order only!
25	Guide bag	35 01 209	4	
26	Washer ø 6,4	22 01 302		
27	Door strip cpl.	65001437	2	Part made to order only!
28	Weight plate	65001432	8	Part made to order only!
29	Sheet-metal screw 2,9 x 9,5	20 21 301		
30	Lateral splash angle cpl.	65001427	2	Part made to order only!
31	Control knob buffer ø 13 x 8,5	40 06 015	6	
32	Sliding rail 785 lg.	35 04 038	4	
o.P.	Bracket	80 000658	4	

GR 1231

Untergestell, Behälter, Verkleidung
Base frame, container, panel
Châssis, récipient, habillage



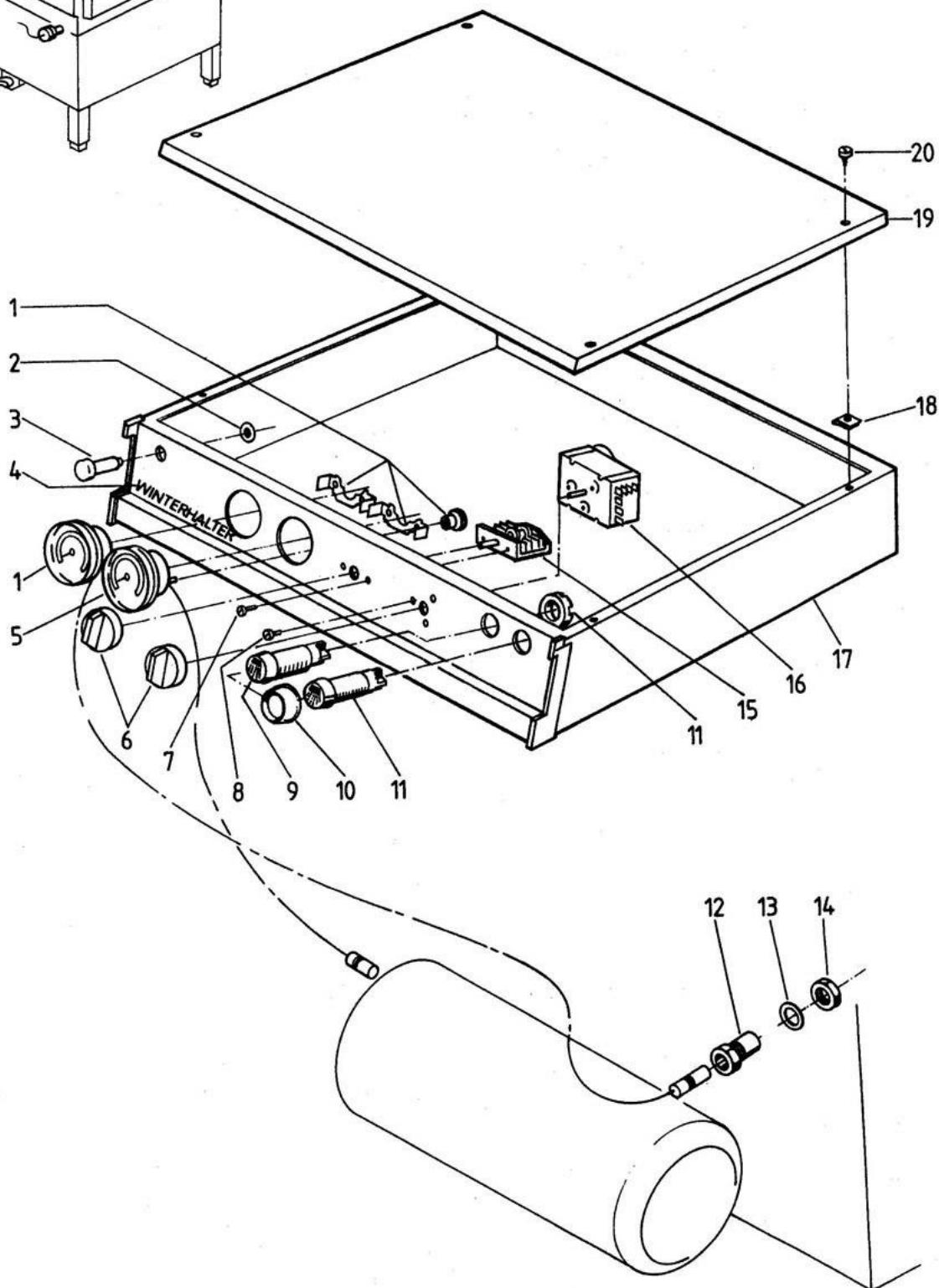
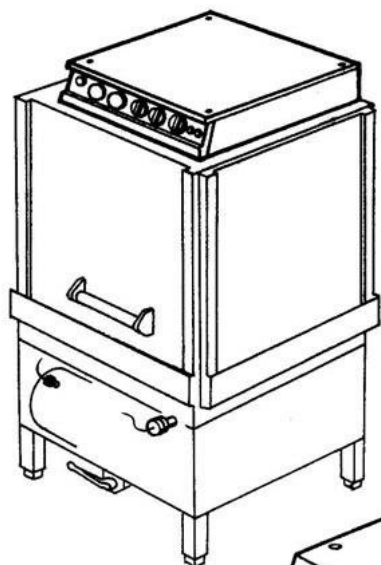
GR 1231

Base frame, container, panel

Pos.	Designation	Part no.		Notes
1	Washer ø 5,3	22 01 300		
2	Hexagon nut M 5	21 05 302		
3	Control box panel cpl.	80000473		Part made to order only!
4	Rear panel	80000396		Part made to order only!
5	Hexagon nut M 6	21 05 304		self-securing
6	Washer 6,4	22 01 302		
7	Support right	65001851	2	Part made to order only!
n.p.	Left support	65000527	2	Part made to order only!
8	Hexagon bolt M 6 x 16	20 01 306		
9	Washer ø 8,4	22 01 303		
10	Hexagon nut M 8	21 05 306		self-securing
11	Catch leading-in	31 10 069	6	
12	Right panel	65000307		Part made to order only!
13	Supporting frame cpl.	65001491		Part made to order only!
14	Front panel	65000305		Part made to order only!
15	Foot 3/4" BSP	35 01 064	4	
16	Insert 3/4" BSP	35 01 063	4	
17	Plate ZU (closed)	28 03 081		
18	Plate AUF (open)	28 03 080		
19	Left panel	65000306		Part made to order only!
20	Cap nut M 4	21 10 302		
21	Front rack support rail cpl.	65000525		Part made to order only!
22	Rear rack support rail cpl.	65000526		Part made to order only!
23	Housing cpl.	65000505		no more available
n.p.	Corner rack support R-L	65000574		Part made to order only!
n.p.	Corner rack support L-R	65002081		Part made to order only!

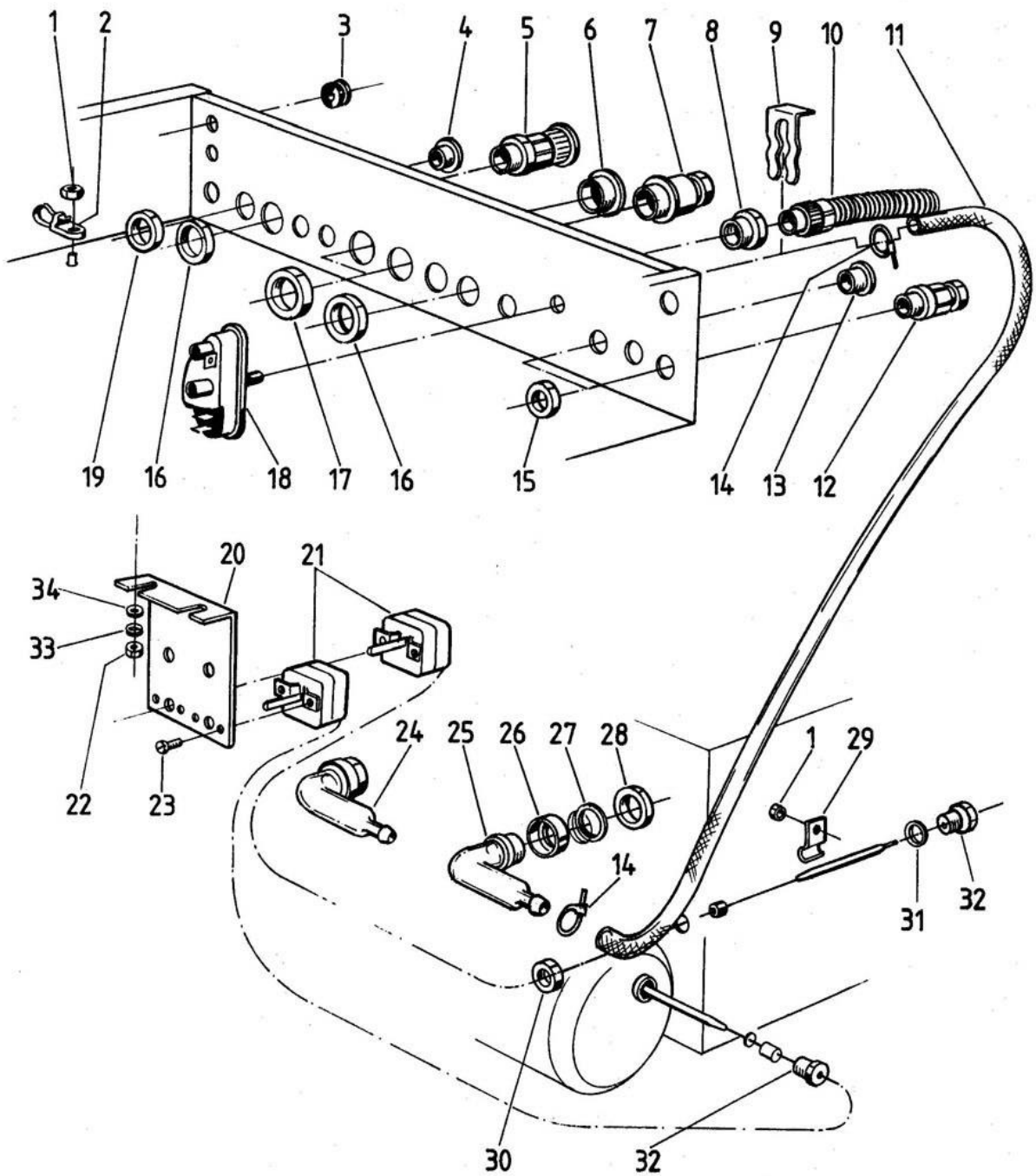
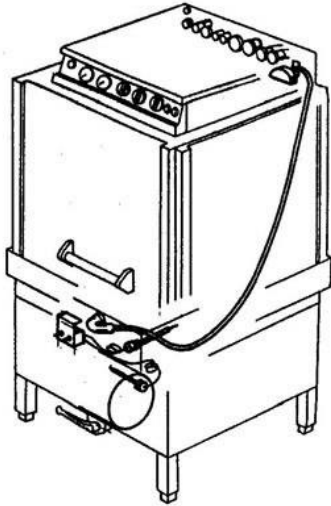
GR 1231

Elektroteile I Electrical parts I Matériel électrique I



GR 1231

Elektroteile II Electrical parts II Matériel électrique II



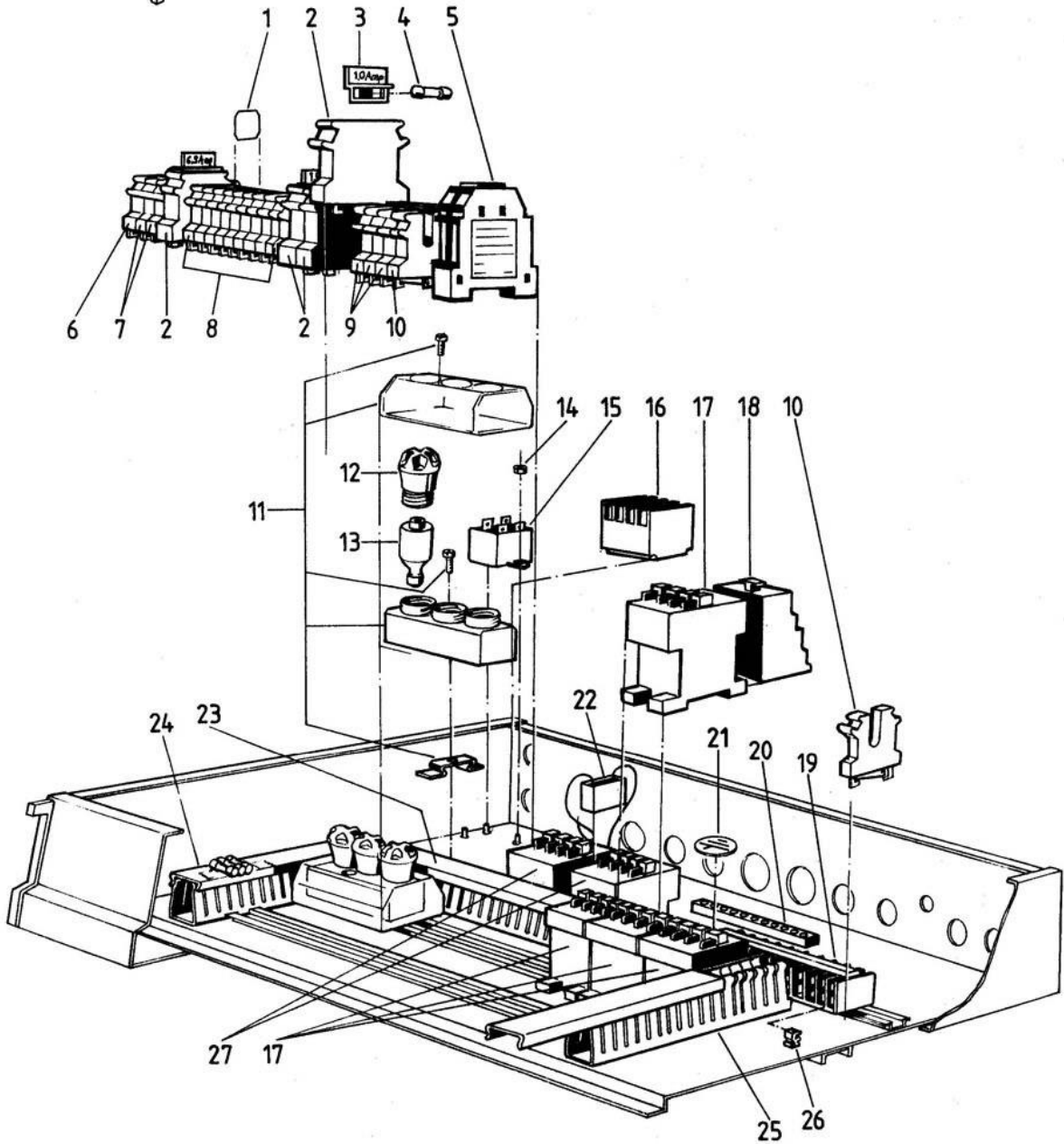
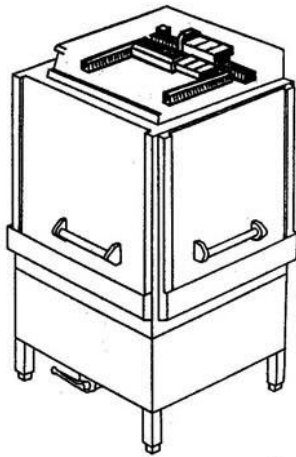
GR 1231

Electrical parts II

Pos.	Designation	Part no.		Notes
1	Hexagon nut M 4	21 05 300		self-securing
2	Hose clip 172 x 4,6	31 20 008		
3	Wire protecting sleeve	31 10 105	2	
4	Locking screw PG 16	31 10 025		
5	Cable gland PG 21	31 10 070		
6	Locking screw PG 29	31 10 026		
7	Cable gland PG 16	31 10 049		
8	Reduction 21/16	31 10 090	3	
9	Friction spring for level switch	31 26 001		
10	Wiring loom	31 23 067		Control no more available
n.p.	Wiring loom	31 23 066		rotary current, no more available
11	Hose \varnothing 5 x 1,5 x 1850	40 01 024		per meter
12	Cable gland PG 9	31 10 042	6	
13	Locking screw PG 9	31 10 021	2	
14	Hose clip 8 - \varnothing 12	28 02 348	2	
15	Hexagon nut PG 9	31 10 043	8	
16	Hexagon nut PG 21	31 10 071		
17	Hexagon nut PG 29	31 10 047	3	
18	Level switch 160/80	80003155		
19	Hexagon nut PG 16	31 10 110		
20	Thermostat support	65002459		
21	Thermostat 1750 lg.	31 25 013		Tank
	Thermostat 2100 lg.	31 25 015		Boiler
22	Hexagon nut M 5	21 05 302		self-securing
23	Lens head screw M 4 x 5	20 10 309		
24	Air chamber cpl.	55 04 024		
25	Air chamber 3/4" BSP	55 04 024		
26	Supporting ring \varnothing 45 x 0,6	62 002875		
27	O-Ring 24X3	27 07 066		
28	Bi-hexagonal nut	61 004893		
29	Thermostat clip	55 19 011		
30	Hexagon nut M 14 x 1,5	31 25 002		
31	Seal 20 x \varnothing 14,2 x 2,0	27 09 036		
32	Gland for thermostat	31 25 001		
33	Spring washer B 8	23 03 301		
34	Washer \varnothing 12 x \varnothing 5,3 x 0,8	22 02 213		

GR 1231

Elektroteile III Electrical parts III Matériel électrique III



GR 1231

Electrical parts III

Pos.	Designation	Part no.		Notes
1	Isolating disk	31 09 066	2	
2	Universal fuse terminal	31 09 063	4	
3	Two-pin fuse bridge	31 09 072	4	
4	Fuse 250 V / 1 A	31 11 039	3	
n.p.	Fuse 250 V, 6,3 A	31 11 043		
5	Time relay 1,5 - 30 s	31 04 083		
6	Universal terminal yellow/green	31 09 059		
7	Universal terminal blue	31 09 058	2	
8	Universal terminal grey	31 09 057	10	
9	Universal terminal grey	31 09 049	3	
10	Earth wire terminal block yellow/green	31 09 064	2	
11	Fuse element	31 11 050	2	
12	Fuse carrier with inspection hole	31 11 090	6	
13	Fuse 16 A	31 11 084	6	
14	Hexagon nut M 4	21 05 300		self-securing
15	Radio interference suppression capacitor 3x0,47 µF	31 13 072		
16	Mini contactor 230-265 V, 50 Hz	31 04 068		
17	Contactor 220-255 V, 50-60 Hz, B 16	31 04 162	4	
18	Overload relay 7,5 - 11 A	31 04 056		
19	Band terminal 21-fold	55 19 074		
20	Earth wire terminal SZ-KLB 12	31 09 094		
21	Plate - equipotential bonding	31 09 150		
22	RC-member 0,27 µF	61002141		
23	Cable trunking 46 x 65 x 400 lg.	31 20 104		per meter
24	Cable trunking 46 x 65 x 290 lg.	31 20 104		
25	Cable trunking 30 x 65 x 290 lg.	31 20 103		
26	Staples	31 09 012	6	
27	Contactor 220-255 V, 50-60 Hz, B 9	31 04 161	2	